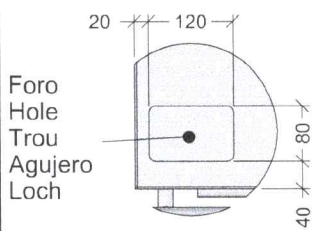
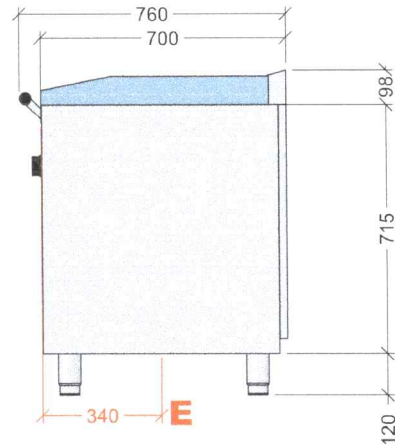
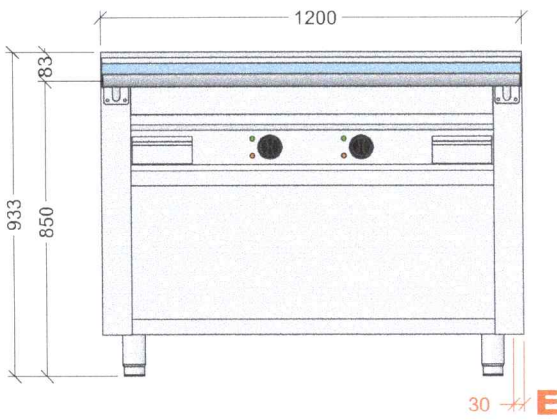
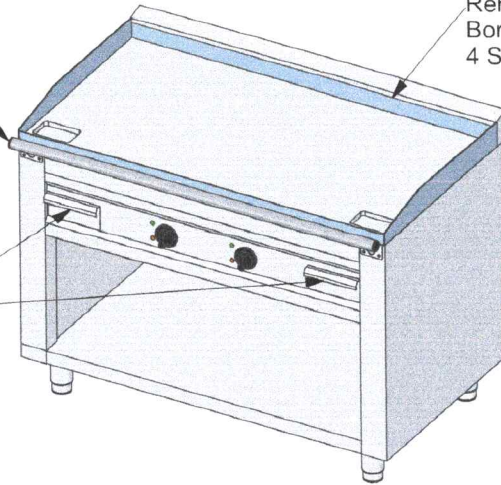


| | | | | |
|--|-----------------------------------|---------------------------------------|--------------------------------------|---------------------------------|
| Piastra di cottura in CR40 mod. TEB | Cooking plate in CR40 mod. TEB | Plaque de cuisson en CR40 mod. TEB | Placa de cocción in CR40 mod. TEB | Kochplatte aus CR40 mod. TEB |
|--|-----------------------------------|---------------------------------------|--------------------------------------|---------------------------------|

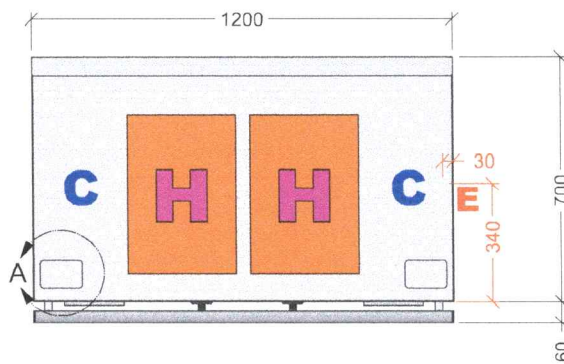
Corrimano
Handrail
Maincourante
Pasamano
Handaluf

Cassetto
Drawer
Tiroir
Cajón
Schublade

Alzatina saldata su 4 lati
Splashback welded on 4 sides
Réhaussée soudée sur les 4 côtés
Borde anti salpicaduras soldado en 4 lados
4 Seiten geschweißte Aufkantungen



DETAIL A
SCALE 1:10



CASTA s.r.l.

Stab. 1 e 3 - Via F.lli Lumière, 11 - Z.I. Villa Selva
Stab. 2 - Via F.lli Lumière, 30 - Z.I. Villa Selva
47122 Forlì FC - IT
www.casta.com - e-mail: casta@casta.com
Tel. +39 0543 782920 - Fax+39 0543 782925

Product: TE2B/120E

| | | | | | | |
|-------------|----------------|------------------------------------|------------------|----------------------|--------------------|-------------------|
| G | Allaccio gas | Gas inlet | Entrée gaz | Entrada de gas | Gasanschluss | |
| E | Cavo elettrico | Electrical cable | Câble électrique | Cable eléctrico | Elektrisches kabel | H07RN-F 5x2,5x2ml |
| H | Zona cottura | Cooking area | Zone de cuisson | Zone de cocción | Kochbereich | kW 5,4 x 2 |
| C | Zona neutra | Neutral area | Zone neutre | Zona neutra | Neutrale Zone | |
| kW gas: | | kW electric: 10,8 400V 3N~ 50/60Hz | | | | Ampere: 15,6 |
| Revision: 1 | | del 03/11/2023 | Scale: 1:20 | Designer: Luca Berti | | |